

KYB GR-2® GAS REPLACEMENT STRUT INSTALLATION INSTRUCTIONS

Strut Disassembly and Assembly Procedure

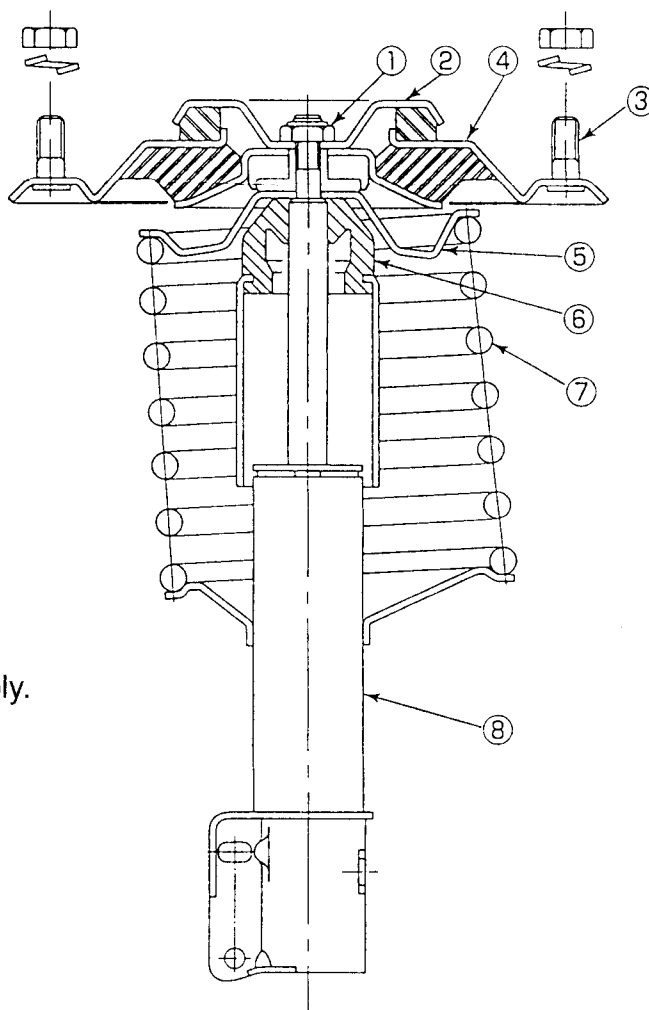
Caution

This is a gas pressurised unit. Do not heat or puncture.

The strut suspension spring is under load and must be restrained. Use a suitable spring compressor designed for the specific vehicle to disassemble and reassemble strut. Be sure to exactly follow the instructions of spring compressor manufacturer.

Strut Removal

1. Place ignition key in the unlocked Position to permit free movement of the wheels.
2. Open engine hood. Mark the position of one (1) of the mounting bolts ③ in the upper mounting plate ④ in relation to fender well, then lift the vehicle to working height.
3. Remove wheel and tire assembly.
4. On certain vehicles it may be necessary to mark the position of the lower mounting bolt which has an eccentric washer.
5. Remove lower mounting bolts, and also brake hose line if it is necessary. It will not be necessary to disconnect the brake hose in all cases.
6. Remove nuts from upper mount assembly.
7. Remove strut assembly from the car.



Strut Disassembly Procedure

1. Compress the spring by using a suitable compressor until there is no tension load on the upper mount.
2. Remove piston rod nut ①. Hold top binder to remove nut. Discard nut.

Strut Disassembly Procedure Cont'd.

3. Remove retainer ② , upper mounting plate ④ , upper spring seat ⑤ bumper ⑥ , dust boot and spring ⑦ from strut.
4. Check for wear or damage on bearing assembly which is usually located between the upper mounting plate. ④ and the upper spring seat ⑤ .

Strut Assembly Procedure

1. Be sure to inspect all parts that are to be reused to insure that they are not damaged or worn.

DO NOT REUSE WORN OR DAMAGED PARTS!!!

2. Extend the piston rod and install the bumper and dust boot onto the piston rod.

Install compressed spring, spring seat, upper mounting plate and retainer.

3. Use new piston rod nut supplied with strut. Follow the car manufacturer recommended torque value to tighten using a torque wrench.

DO NOT USE AN IMPACT WRENCH!!!

An impact wrench will weaken the piston rod thread area.

4. Before releasing spring, make sure that all parts are installed correctly.

Strut Installation

1. Install strut unit in vehicle.
2. Place lower mounting bracket of strut onto the spindle. Install the lower mounting bolts and tighten. Torque all nuts to specification recommended by vehicle manufacturer.
3. Attach brake hose to the bracket on the strut and bleed brakes if you have disconnected brake line.
4. Install wheel and align the front or rear end to the specifications of the vehicle manufacturer.